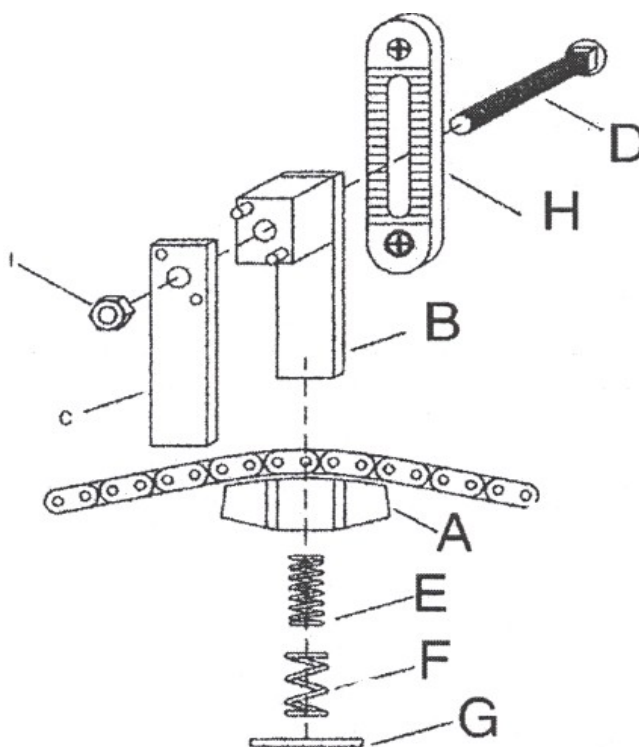


**V-Twin Mfg.**  
**YORK AUTO CHAIN ADJUSTER**  
**VT No. 18-0580 Fits 1965 - 2000 BT**  
**VT No. 18-0581 Fits 2001 - 2005 BT**

**This is a custom application and rider safety depends on proper installation. This product should only be installed by a knowledgeable and trained motorcycle technician. V-Twin Mfg. accepts no responsibility for improper installation.**

**Installation Instructions:**

1. Drain oil.
2. Remove the primary cover, the original adjuster shoe with the bracket and the carriage screw.
3. Install the longer carriage screw from the kit into the serrated adjuster pod.
4. Install the inner guide onto the carriage screw. Install the shoe with the springs onto the inner guide and place the outer guide onto the inner guide pins as shown.
5. Position the shoe, springs and guide assembly at the lowest point of possible adjustment on the pad.
6. Install the original carriage screw lock nut and tighten it.
7. The amount of spring exposed from the bottom of the shoe will depend on chain wear. It should be 5/8" or less.
8. If more than 5/8" exists, raise the bottom of the spring by loosening the nut and raising the assembly for kit 18-0580. For kit 18-0581 use the shims provided in the kit. Make this adjustment until 5/8" of the spring is exposed.
9. Replace the primary cover with a new gasket and fill it with oil to the proper level.



**Parts List 18-0580**

Item	Description	Qty
A	Shoe	1
B	Inner Guide	1
C	Outer Guide	1
D	Carriage screw 3/8-16 x 3"	1
E	Inner spring	1
F	Outer spring	1
H	Adjuster Pad	1
I	Lock Nut	1

**Parts List 18-0581**

Item	Description	Qty
A	Shoe	1
B	Inner Guide	1
C	Outer Guide	1
D	Carriage screw 3/8-16 x 3"	1
E	Inner spring	1
F	Outer spring	1
G	Shim	6
H	Adjuster Pad	1
I	Lock Nut	1