



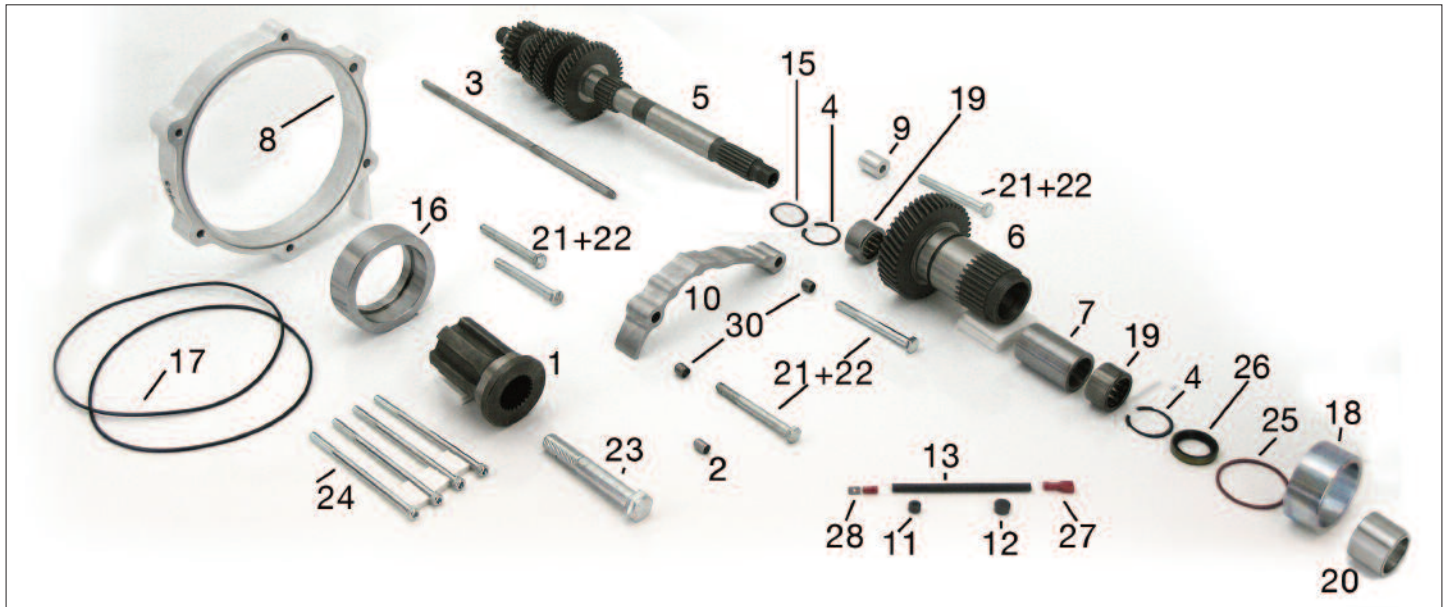
ZPN 701950

25 Primary Offset Kit

FXD 2006-2011, Softail 2007-2011

Fits 2007-2011 Touring when installed

when the correct primary gasket is used (not included)



ZPN 701950 25 primary offset kit

Pos.	Part no	Description	Qty	Pos.	Part no	Description	Qty
-	231977	Kit Prim. Chain Cvr. FXD06-up, F*ST-07-up	1	13	701968	Shrink socket tube	1
1	346014	25mm Crankshaft extension 2007-up	1	15	701971	Spacer washer for dog ring guide head in 2010-up models	1
2	700877	Primary spacer dowel pin 5/16"	1	16	701975	25mm compensator spacer 2007	1
3	700921	25mm Extended 6 speed clutch rod	1	17	701973	O-ring primary spacer 3x180mm	2
-	701953	Gasket, transmission top cover	1	18	701974	25mm Belt Pulley spacer	1
-	701954	Trap door gasket	1	19	702001	Bearing, main drive gear	2
-	701955	Trap door cover gasket	1	20	723106	Bearing race (OEM 34091-06)	1
4	701957	Retaining ring, drive gear bearing	2	21	S000013	Washer, 5/16"	5
5	701960	25mm extended main shaft with	1	22	S000083	5/16-18x3.250" hex UNC zinc	5
6	701961	25mm extended main drive gear 6 speed	1	23	S000131	Hex bolt 9/16"x4" UNC GR5 Zinc	1
7	701962	25mm Inner output gear spacer	1	24	S000132	Allen bolt 1/4"x5" UNC Zinc	4
8	701963	25mm Primary spacer 2007up	1	25	S231941	EACH O-ring Main Drive Gear	1
9	701964	25mm Primary/transm. spacer/dowel	1	26	S231957	Inner oil seal maindrive gear	1
10	701965	25mm Primary to transm. spacer	1	27	S239245	Plug female isolated	1
11	701966	Wire grommet front	1	28	S239246	Male plug	1
12	701967	Wire hole plug	1	30	S740535	BUSHING, DOWEL	2



IMPORTANT NOTICE

2008 and later 6-Speed models have a slightly different main shaft. After the splines (on the clutch side), where the inner race of the support bearing is fitted the shaft has a slightly smaller diameter. Installation of this kit requires the use of the 2006-2007 bearing race (ZPN 723106, OEM 34091-06). This bearing race is not included in the kit but must be ordered separately.

WICHTIGER HINWEIS

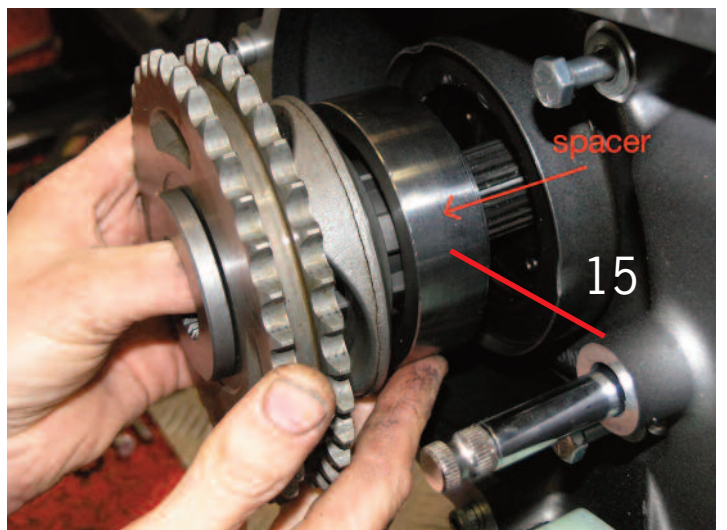
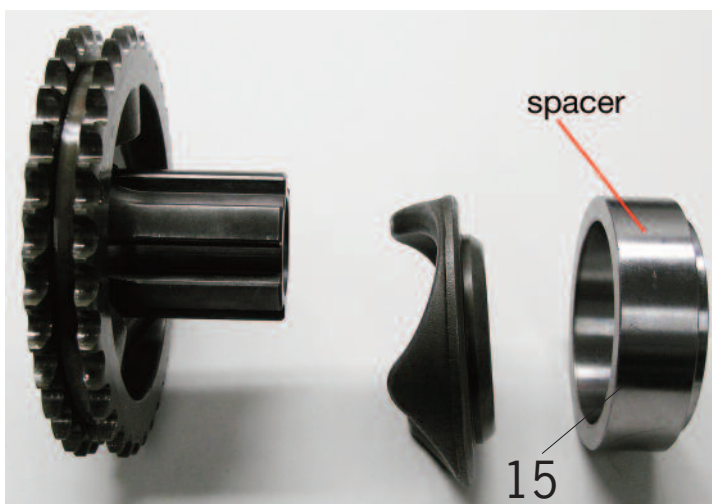
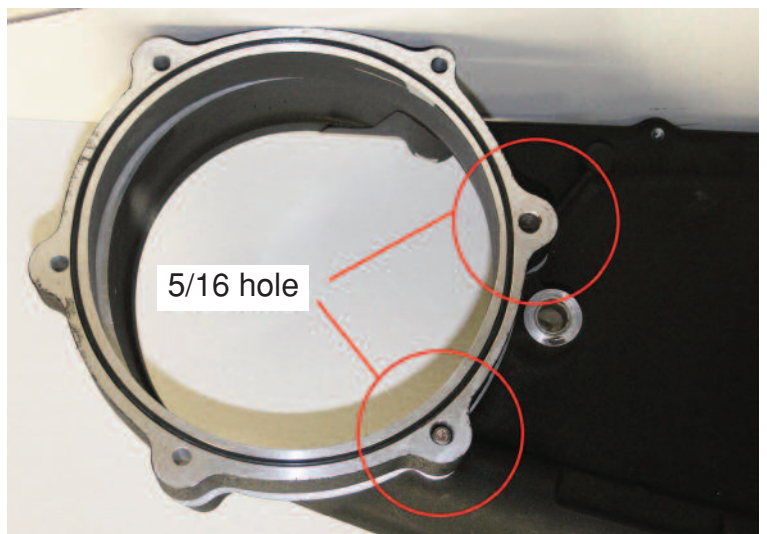
6-Gang Modelle ab 2008 besitzen eine leicht geänderte Hauptwelle. Hinter den Nuten (auf der Kupplungsseite) wo der innere Lagerring des Stützlagers auf der Hauptwelle sitzt ist der Durchmesser der Hauptwelle geringfügig kleiner. Bei der Montage dieser Kits muss deshalb die Lagerschale (ZPN 723106, OEM 34091-06) der Baujahre von 2006-2007 verwendet werden. Diese Lagerschale ist nicht im Lieferumfang dieses Kits enthalten und muss separat dazu bestellt werden.

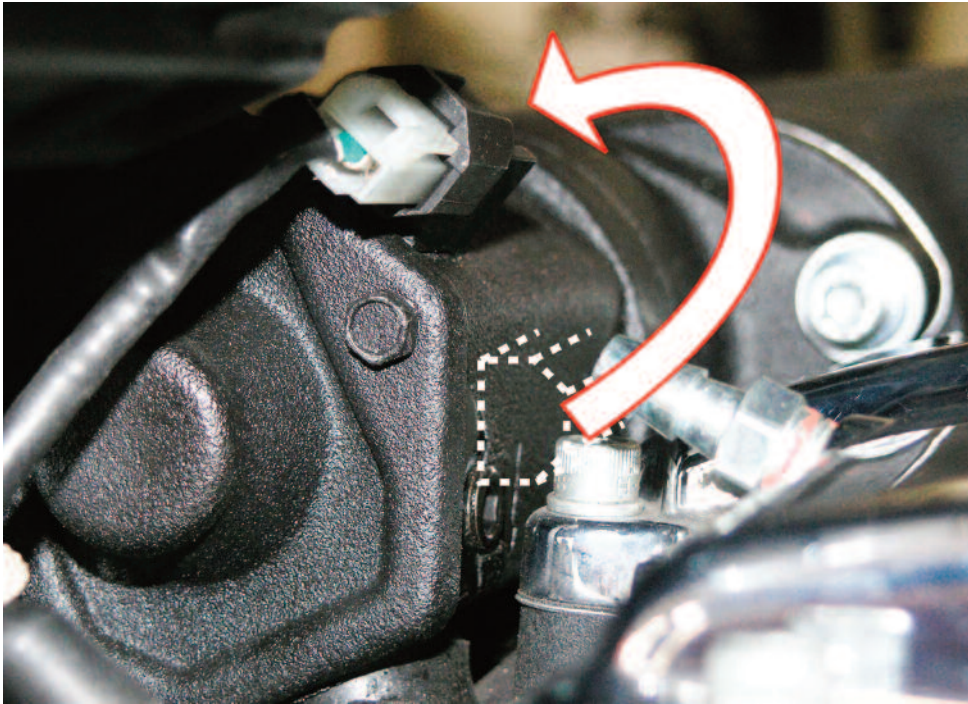
AVVISO IMPORTANTE

I modelli a 6 marce dal 2008 in poi hanno l'albero principale leggermente differente. Dopo la scanalatura (sul lato frizione) dove è montata la pista interna del cuscinetto di supporto, l'albero ha un diametro leggermente inferiore. L'installazione di questo kit richiede l'uso di una pista cuscinetto 2006-2007 (ZPN 723106, OEM 34091-06). Questa pista cuscinetto non è inclusa e va ordinata separatamente.

NOTE IMPORTANTE

Les boîtes 6 de 2008 et après ont un arbre primaire légèrement différent. Après les canelures (côté embrayage), là où se place la portée de carter primaire intérieur le diamètre est légèrement inférieur. L'installation de ce kit requiert l'utilisation d'une portée des années 2006-2007 (ZPN 723106, OEM 34091-06). Cette portée n'est pas incluse dans le kit et doit être commandée séparément.





- Relocate connector/housing on starter or
- connect one side of a wire (not included) to solenoid wiring.

Other side with (included) male plug to original connector.

Note: drill hole to solenoid cover and use grommet for wire guide.

