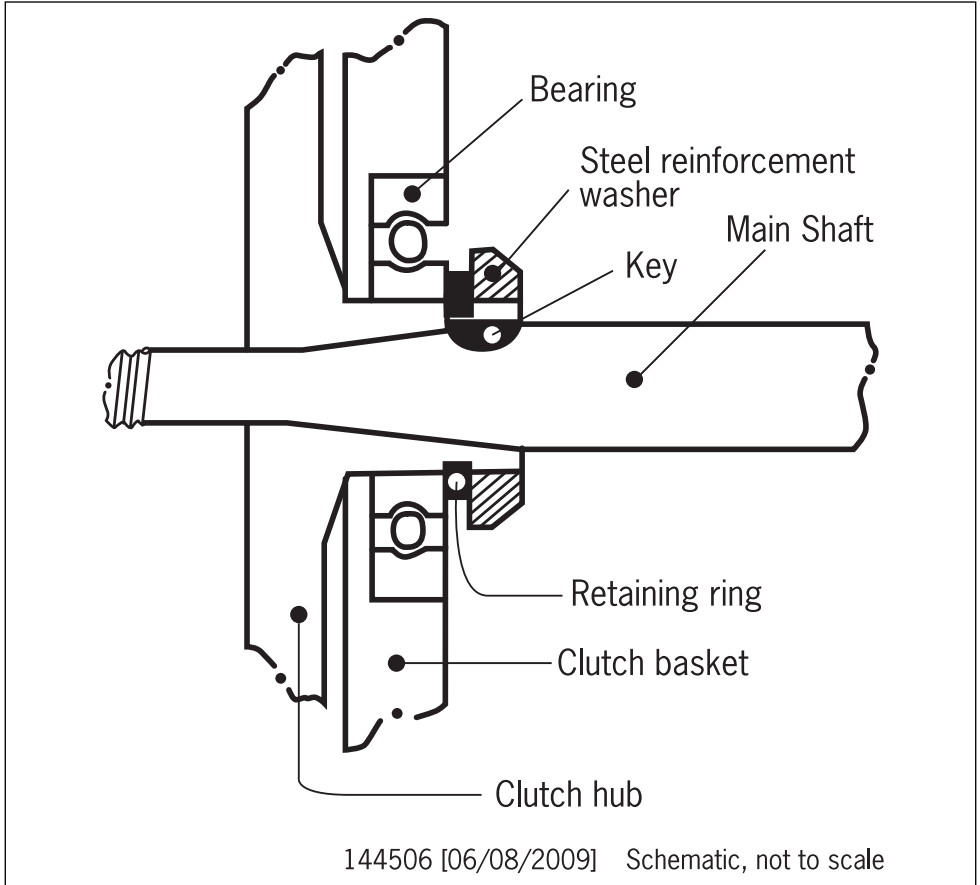


INNER CLUTCH HUB FOR 1984 THRU 1989 BIG TWIN 144506



- Install inner clutch hub in clutch basket and re-install the stock retaining ring.
- The included steel reinforcement ring is to prevent for the clutch hub splitting at the key-way. It has a press fit to the hub and is to be fitted using a small hydraulic press.
- Alternatively you may heat up the ring by immersing it in boiling water or heat it up with a small torch.
- Finalize the installation according to your workshop manual
- Do not over-torque the clutch hub nut, we suggest to 50-60 lbs./ft (68-81 Nm)