

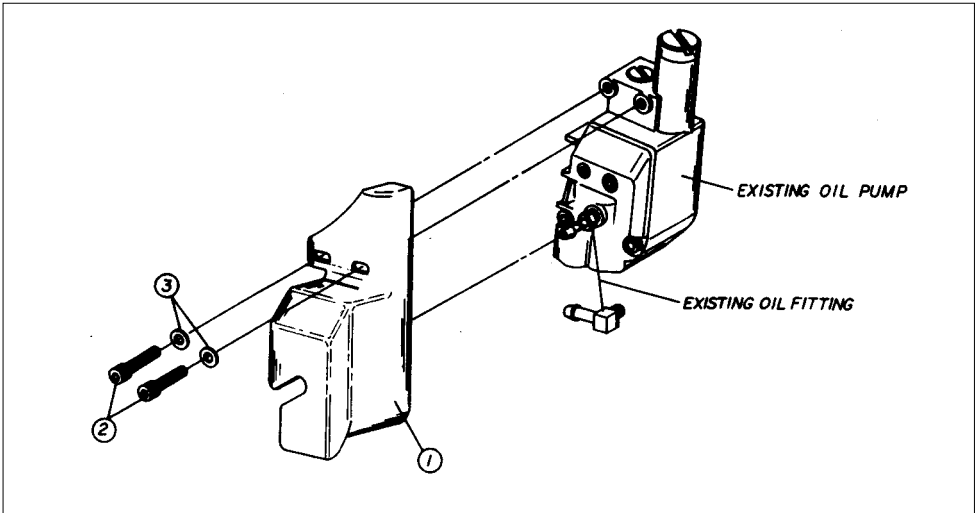


301887

CHROME OIL PUMP COVER FOR BIG TWIN MODELS 1992 THRU 1999

Note:

Oil pump body bolts requires 60 to 85 in LBS of Torque per factory specification.



Bill of material

No.	Qty.	Description
1	1	oil pump cover
2	2	1/4"-20 X 1,5" sockethead screw
3	2	1/4" X 1,5" X 3/32" thick flat washer