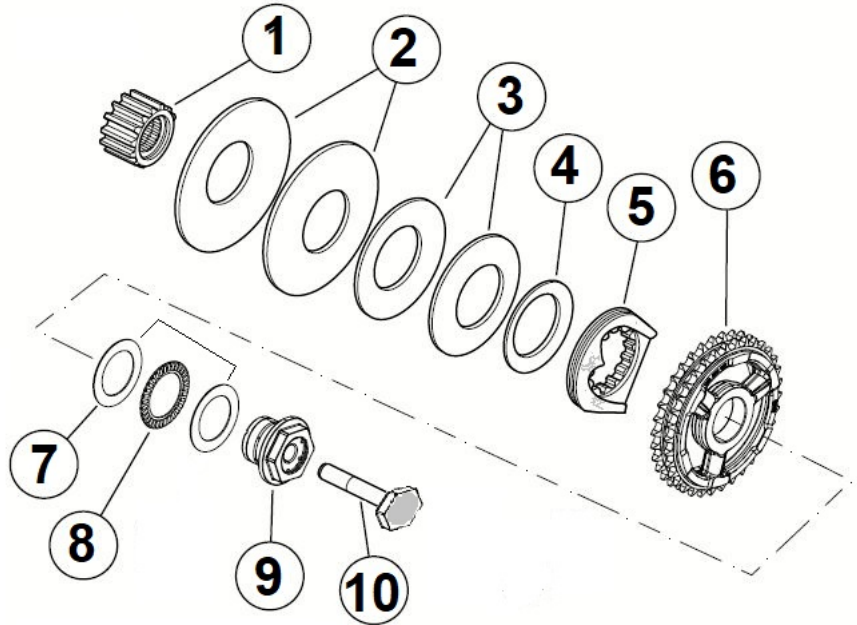
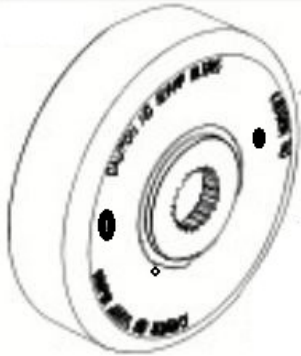


ZPN 241275 COMPENSATOR SPROCKET 2006-2014 TWIN CAM

Note:

Must be installed with a 2008-2017 style flat alternator rotor as pictured.
(Not included in kit 241275)
Kit does not fit 2006-2007 style rotors with integrated spring cup.



Note : Does NOT fit 2006 Touring, 2006 Softail and FXCW, FXCWC, FXSB, FXSBSE & FXSTSSE3

1. Shaft extension
2. Spring washers, large (2)
3. Spring washers, medium size (2)
4. Spring washer, small (1)
5. Slider cam
6. Motor chain sprocket
7. Thrust washers (2)
8. Thrust needle bearing
9. Sprocket retainer
10. Bolt

1. Install engine compensating sprocket.
 - a. Apply a thin layer of primary oil to the inside of the motor chain sprocket (6).
 - b. Apply a thin layer of primary oil to the splines of shaft extension (1).
 - c. Assemble shaft extension, 2 large spring washers, 2 medium spring washers and 1 small spring washer. Outer diameter will contact slider cam (5) once installed.
3. Install sliding cam (5).
4. Place primary chain, motor chain sprocket, and clutch assembly.
5. Install 1 thrust washer (7), thrust needle bearing (8) and the last thrust washer (7)
6. Install sprocket retainer (9) and bolt (10). Tighten bolt finger tight.
7. Tighten bolt (#10) 135-136 Nm, than loosen ONE full turn (360 degrees), than tighten to 236-238 Nm