

INSTRUCTIONS

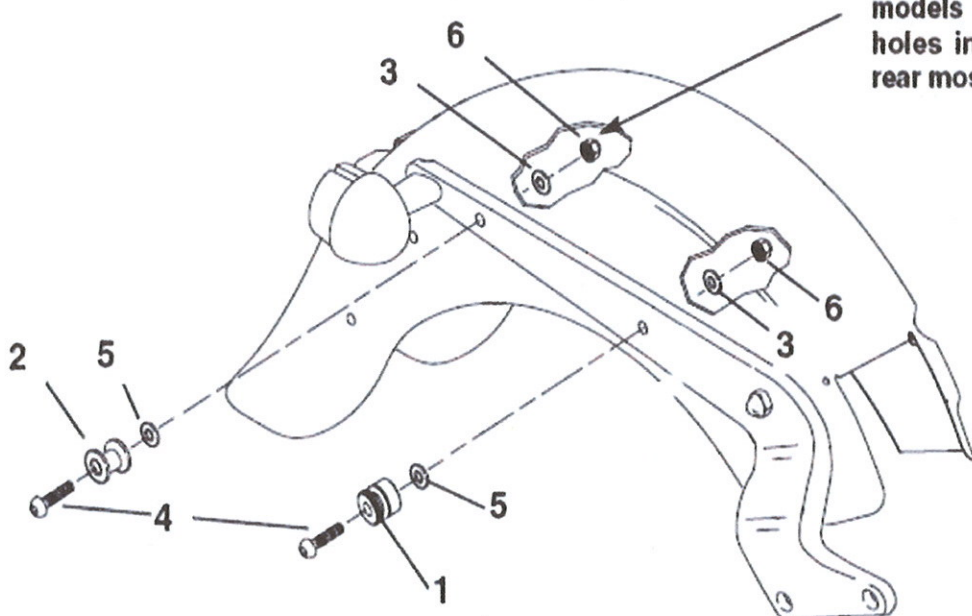
Softail Docking Hardware Without Saddlebag Supports

086085

Installation on FLSTF models

(Illustration shows installation without wide tire kit installed)

Rear nut is only required on FLSTF models. On all other models bolts (4) engage threaded holes in license plate bracket in rear most mounting hole.

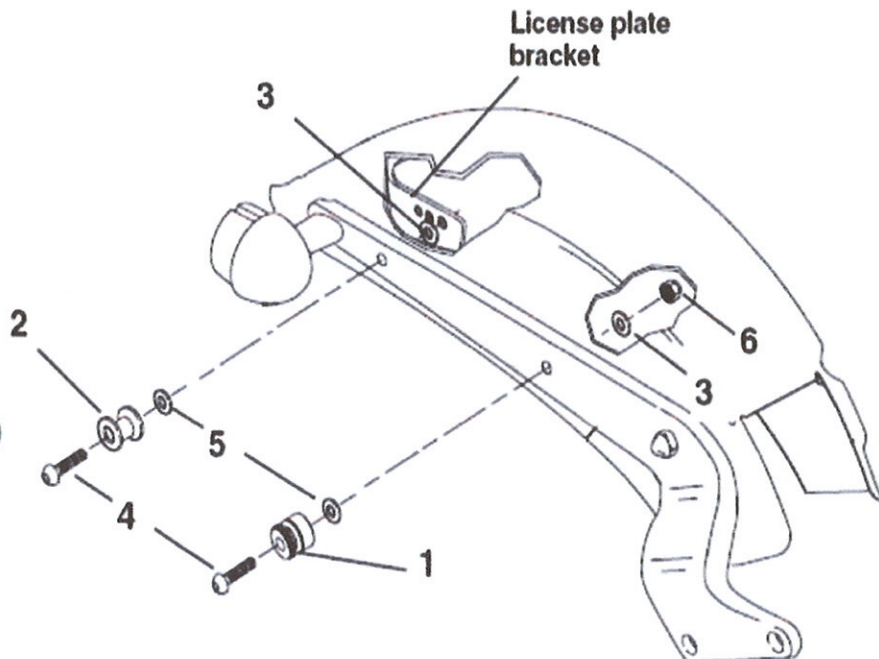


Installation on FX models

(Illustration shows installation without wide tire kit installed)

License plate
bracket

- | Item | Description |
|------|---|
| 1 | Docking points, front (2) |
| 2 | Docking points, rear (2) |
| 3 | Washers, 3/8 x 13/16 x 1/16 (4) |
| 4 | Bolts, button head,
3/8-16 x 2-1/4 (4) |
| 5 | Bushing sets (2) with 2
docking points in each set |
| 6 | Locknuts, hex,
3/8-16 x 7/16 x 9/16 (4) |



INSTRUCTIONS

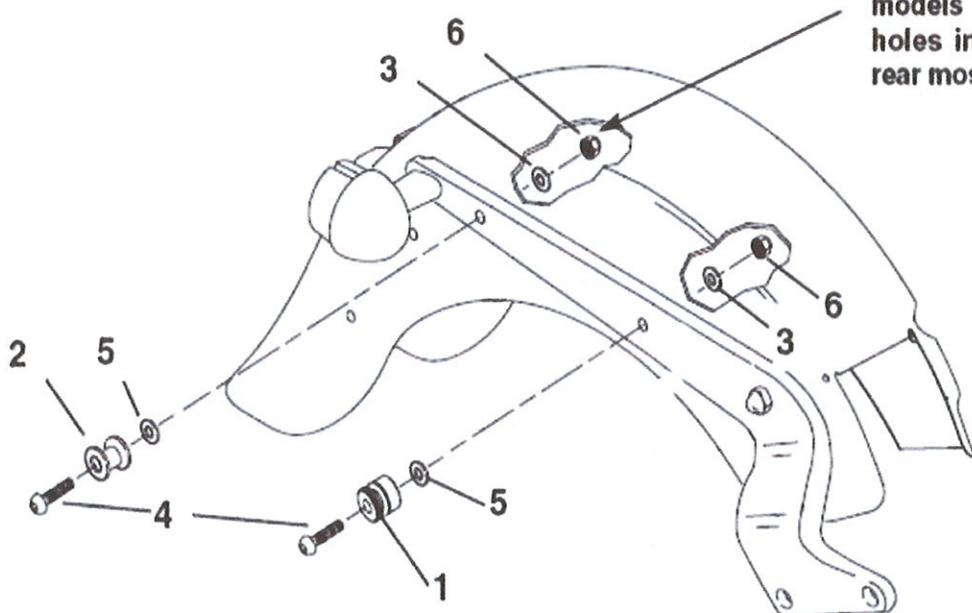
Softail Docking Hardware Without Saddlebag Supports

086085

Installation on FLSTF models

(Illustration shows installation without wide tire kit installed)

Rear nut is only required on FLSTF models. On all other models bolts (4) engage threaded holes in license plate bracket in rear most mounting hole.



Installation on FX models

(Illustration shows installation without wide tire kit installed)

License plate
bracket

- | Item | Description |
|------|---|
| 1 | Docking points, front (2) |
| 2 | Docking points, rear (2) |
| 3 | Washers, 3/8 x 13/16 x 1/16 (4) |
| 4 | Bolts, button head,
3/8-16 x 2-1/4 (4) |
| 5 | Bushing sets (2) with 2
docking points in each set |
| 6 | Locknuts, hex,
3/8-16 x 7/16 x 9/16 (4) |

