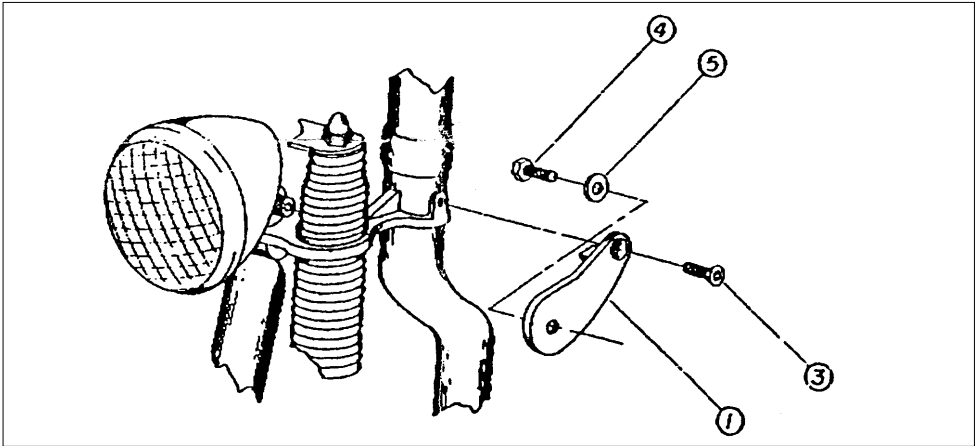




160262

Turn Signal Relocation brackets for FXSTS Models



BILL OF MATERIAL SPRINGER TURN SIGNAL RELOCATION BRACKET

| NO | QU | DESCRIPTION |
|----|----|---|
| 1 | 1 | LEFT HAND BRACKET (SHOWN) |
| 2 | 1 | RIGHT HAND BRACKET (NOT SHOWN) |
| 3 | 2 | 5/16-24 UNF X 3/4 LONG FLATHEADSOCKET SCREW |
| 4 | 2 | 5/16-24 UNF X 3/4 LONG HEX BALT |
| 5 | 2 | 5/16 SAE FLATWASHER (.690 D X 34 I.D. X .055 TNK) |

Note: Use blue Loctite on first three threads of all hardware

1. Remove buttonhead screws from both sides of Springer fork.
2. Remove the brake line retention clip from the brake line.
3. Install the turn signal mounts 1 as shown using flathead screws.

Note: On cycles equipped with a throttle cable relocation clip the clip must be rotated before being clamped between the relocation bracket and the fork.

4. Original equipment turn signals may be mounted using the bolts 4 and washers 5. Other custom signals may be installed using hardware provided with the light.
5. Route signal wires well clear of the fork springs, using suitable cable ties.
6. Test turn signal function and recheck all fasteners before test riding.